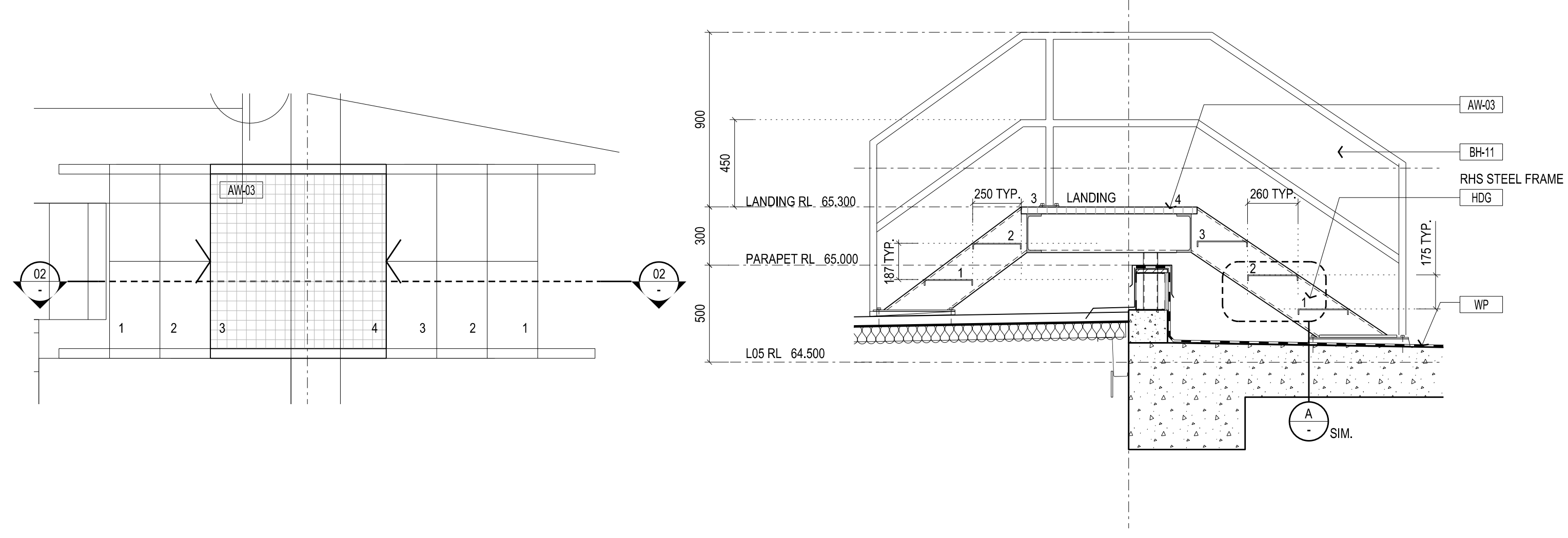


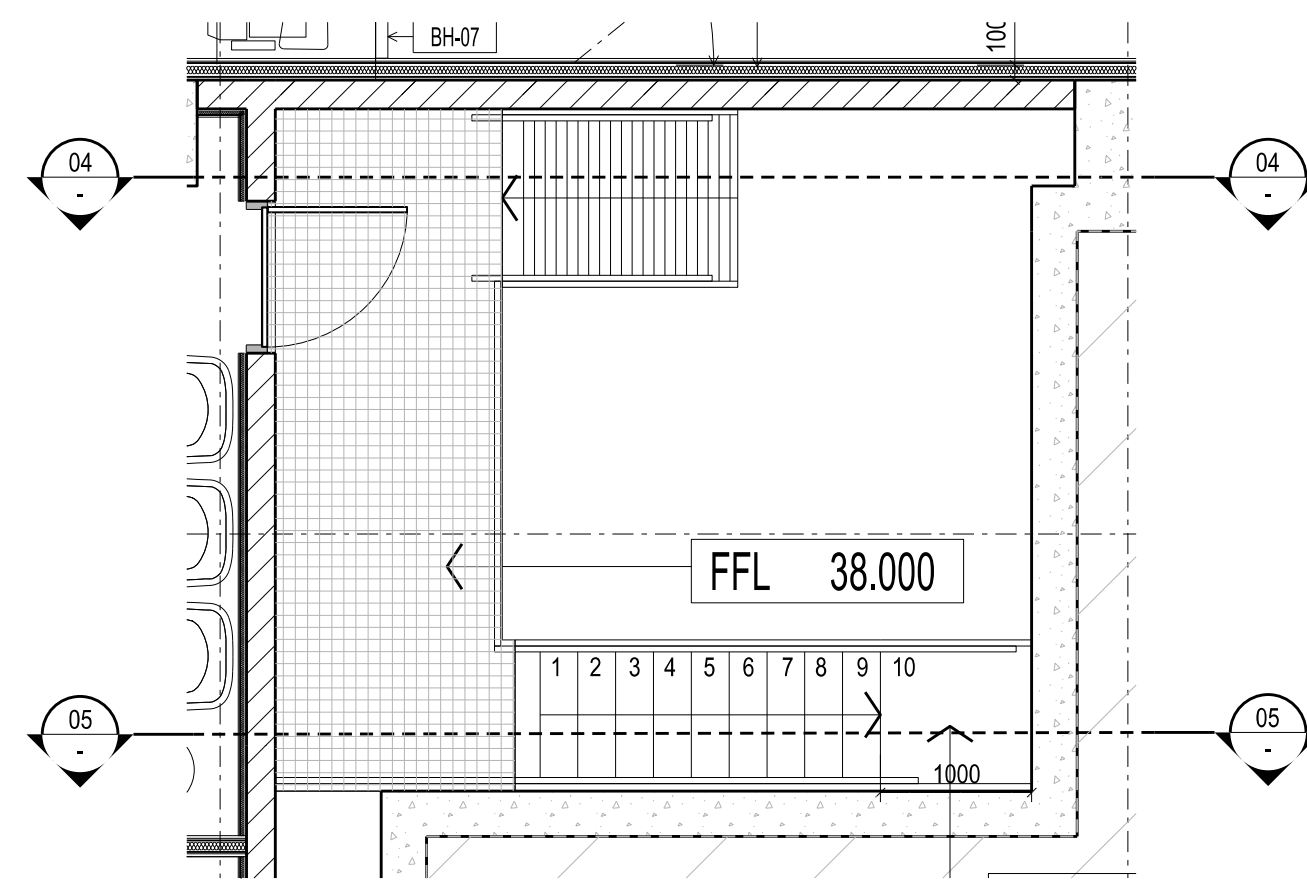
CONTRACTORS SHALL VERIFY DIMENSIONS BEFORE ANY JOB COMMENCES. ALL SHOP DRAWINGS SHALL BE SUBMITTED TO THE SUPERINTENDENT AND MANUFACTURERS SHALL NOT COMMENCE PRIOR TO THE RETURN OF DIMENSIONED SHOP DRAWINGS. THE CONSULTANT ASSURES DIMENSIONS SHALL TAKE PRECEDENCE OVER SCALES. THIS DRAWING SHOULD BE READ IN CONJUNCTION WITH ALL RELEVANT CONTRACT SPECIFICATIONS AND DRAWINGS COPYRIGHT OF THIS DRAWING IS VESTED IN HANDLE.

General Notes

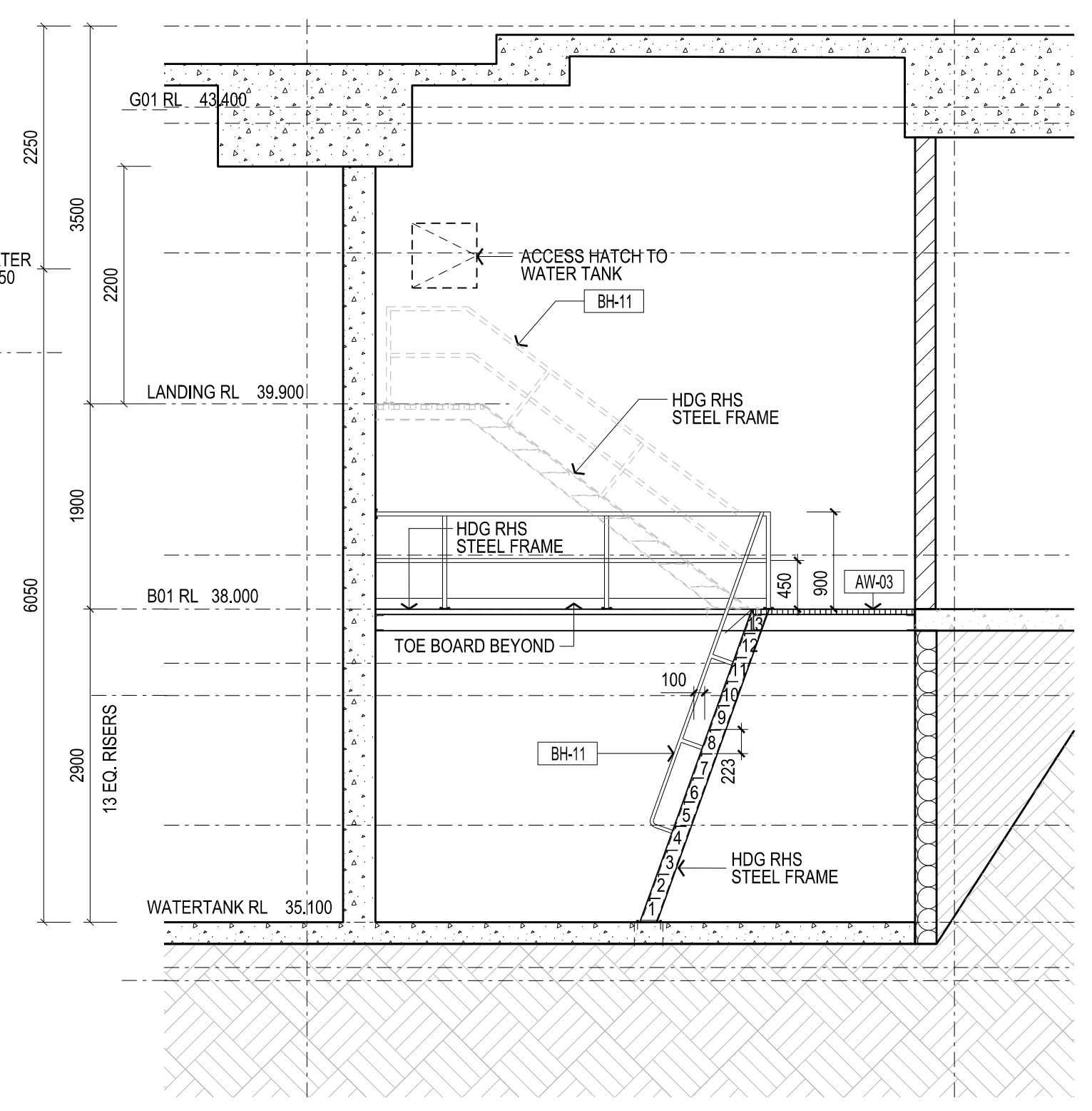


01 ROOF ACCESS STAIR - PLAN
SCALE 1:20

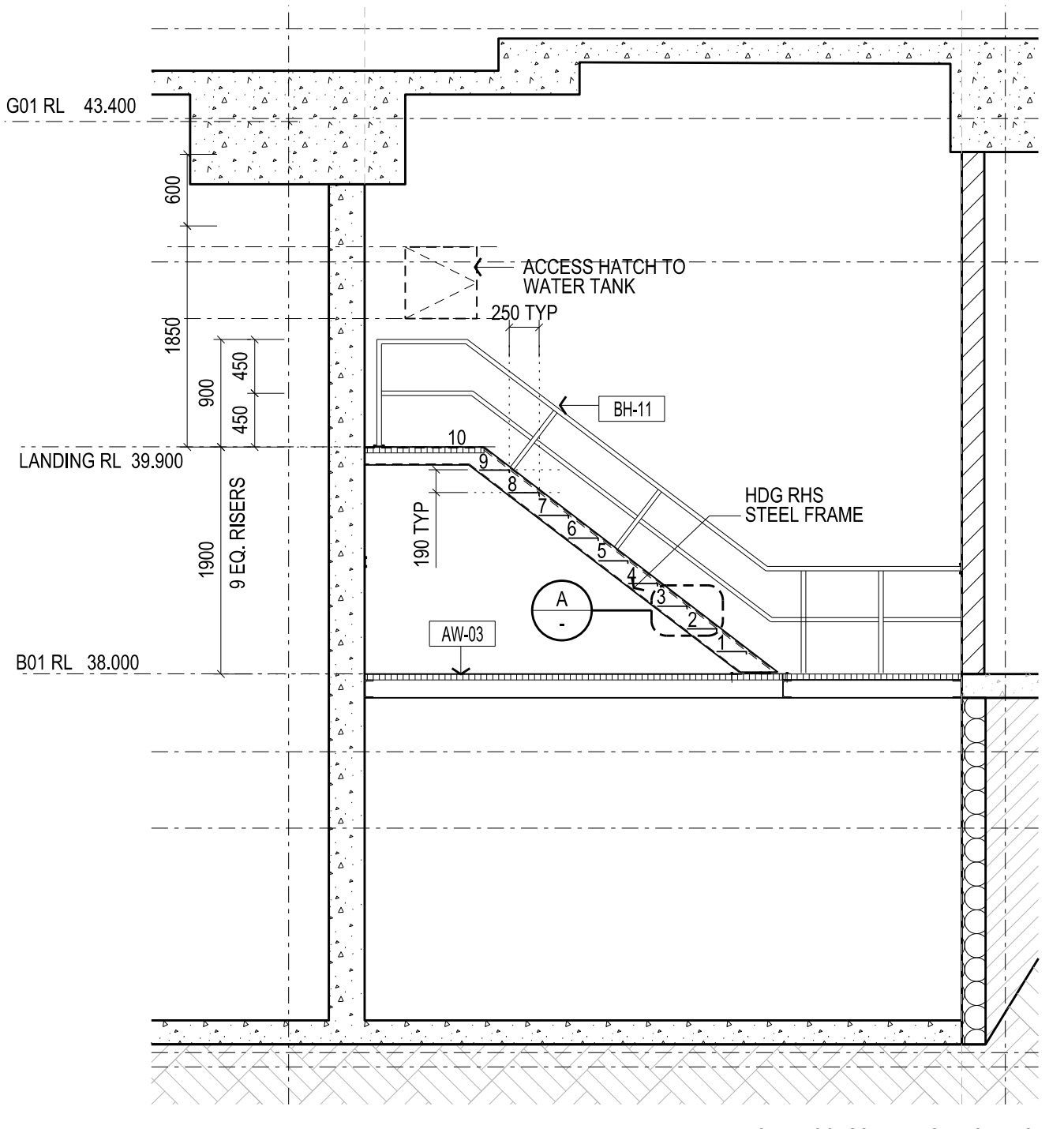
02 ROOF ACCESS STAIR - SEC.
SCALE 1:20
NOTE: ACCESS PLATFORM STAIRS & LADDER TO AS. 1657



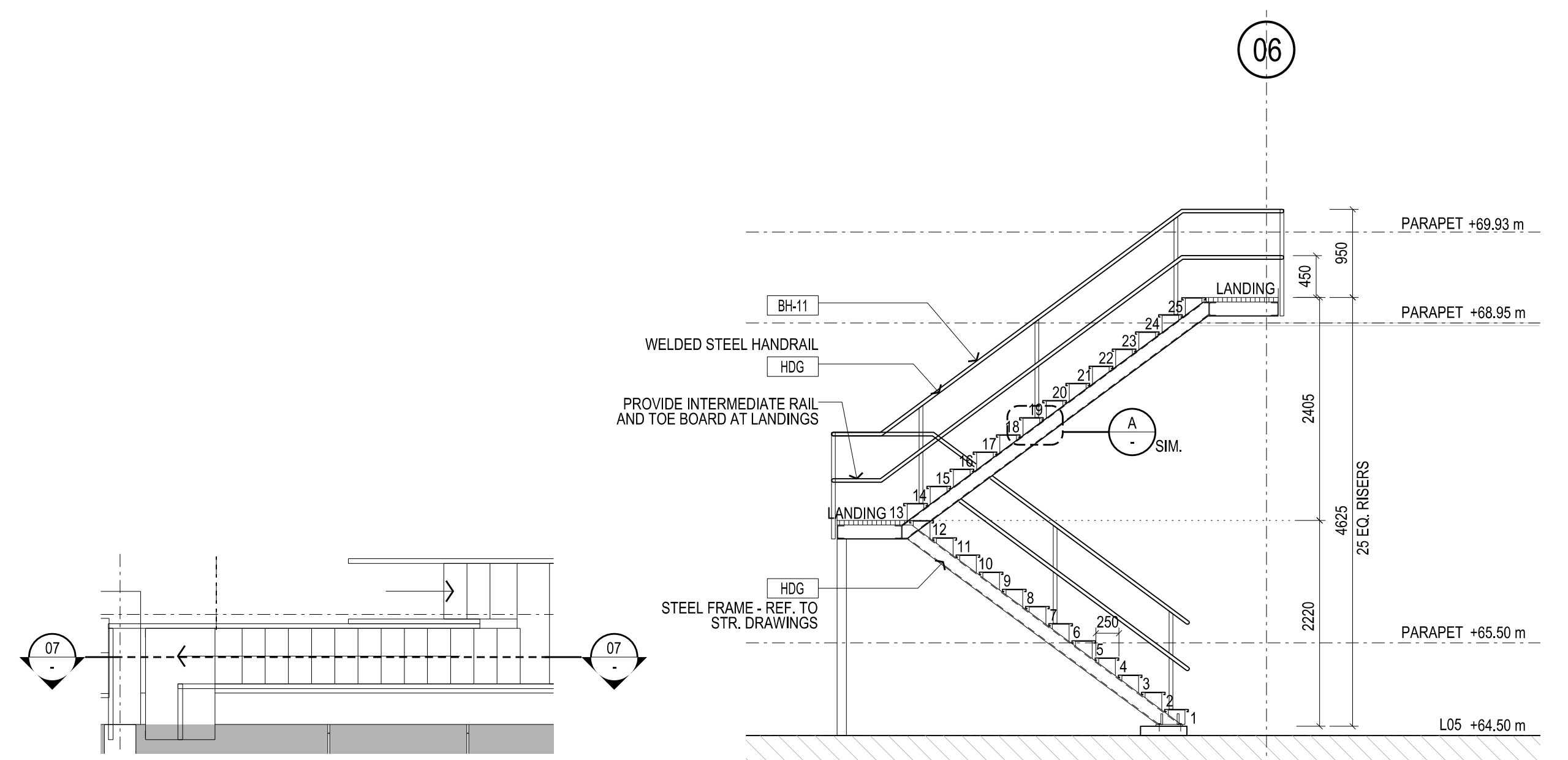
03 PLANT ACCESS STAIR - PLAN
SCALE 1:50



04 PLANT ACCESS STAIR - SEC.
SCALE 1:50
NOTE: ACCESS PLATFORM STAIRS & LADDER TO AS. 1657

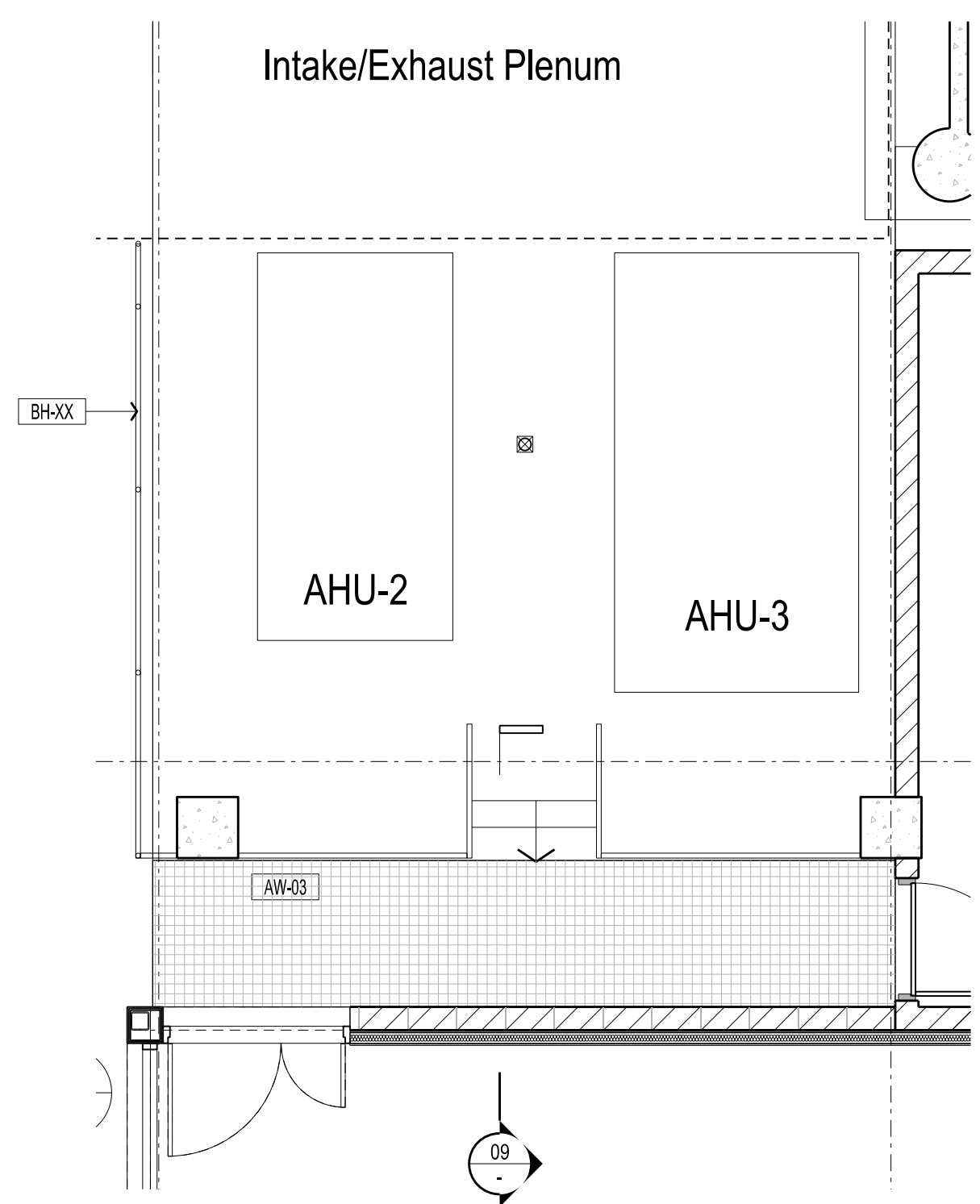


05 ACCESS PANEL STAIR - SEC.
SCALE 1:50
NOTE: ACCESS PLATFORM STAIRS & LADDER TO AS. 1657

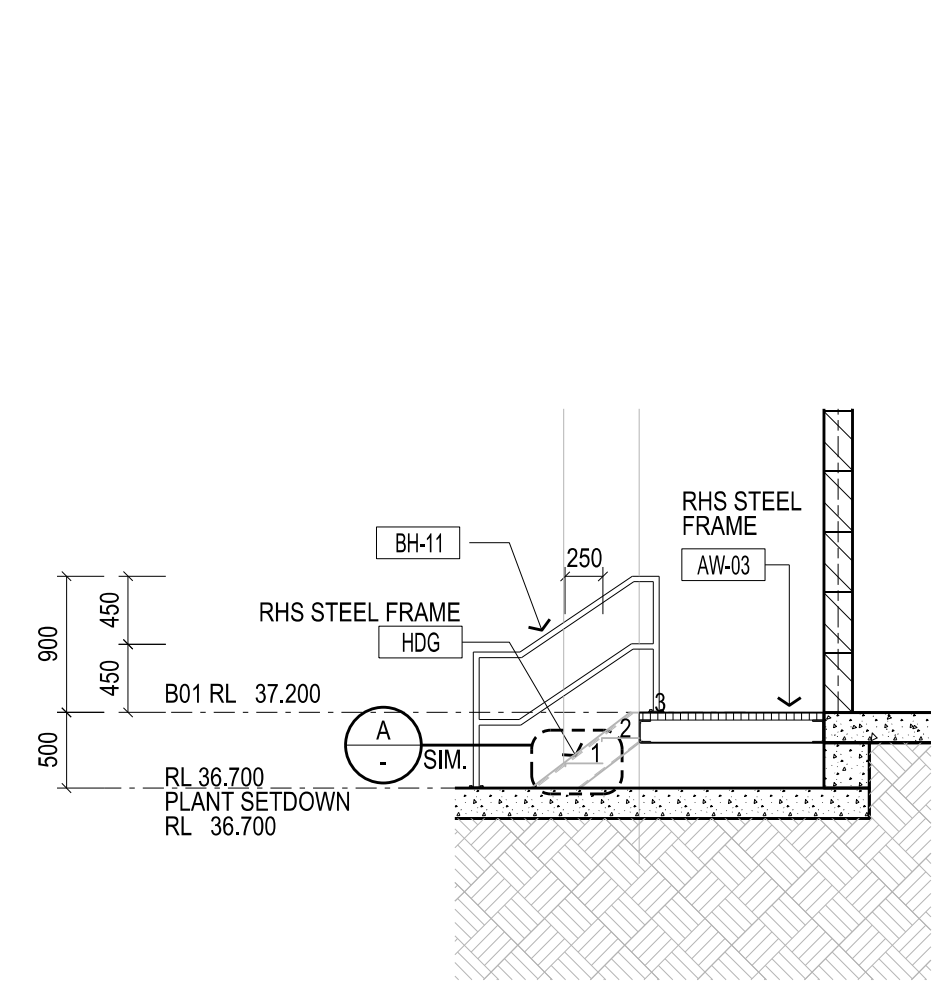


06 ROOF ACCESS STAIR - PLAN
SCALE 1:50

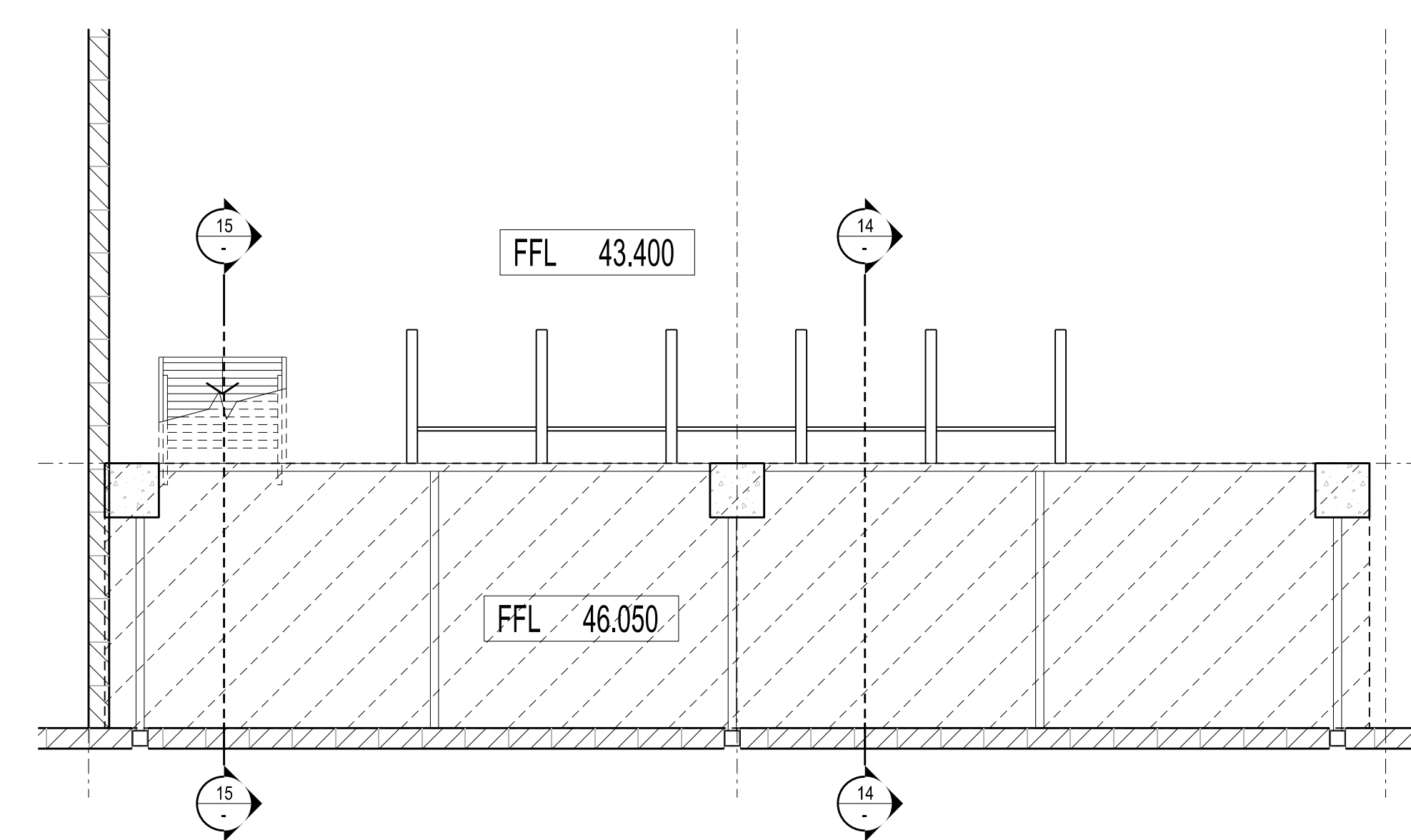
07 ROOF ACCESS STAIR - SEC.
SCALE 1:50
NOTE: ACCESS PLATFORM STAIRS & LADDER TO AS. 1657



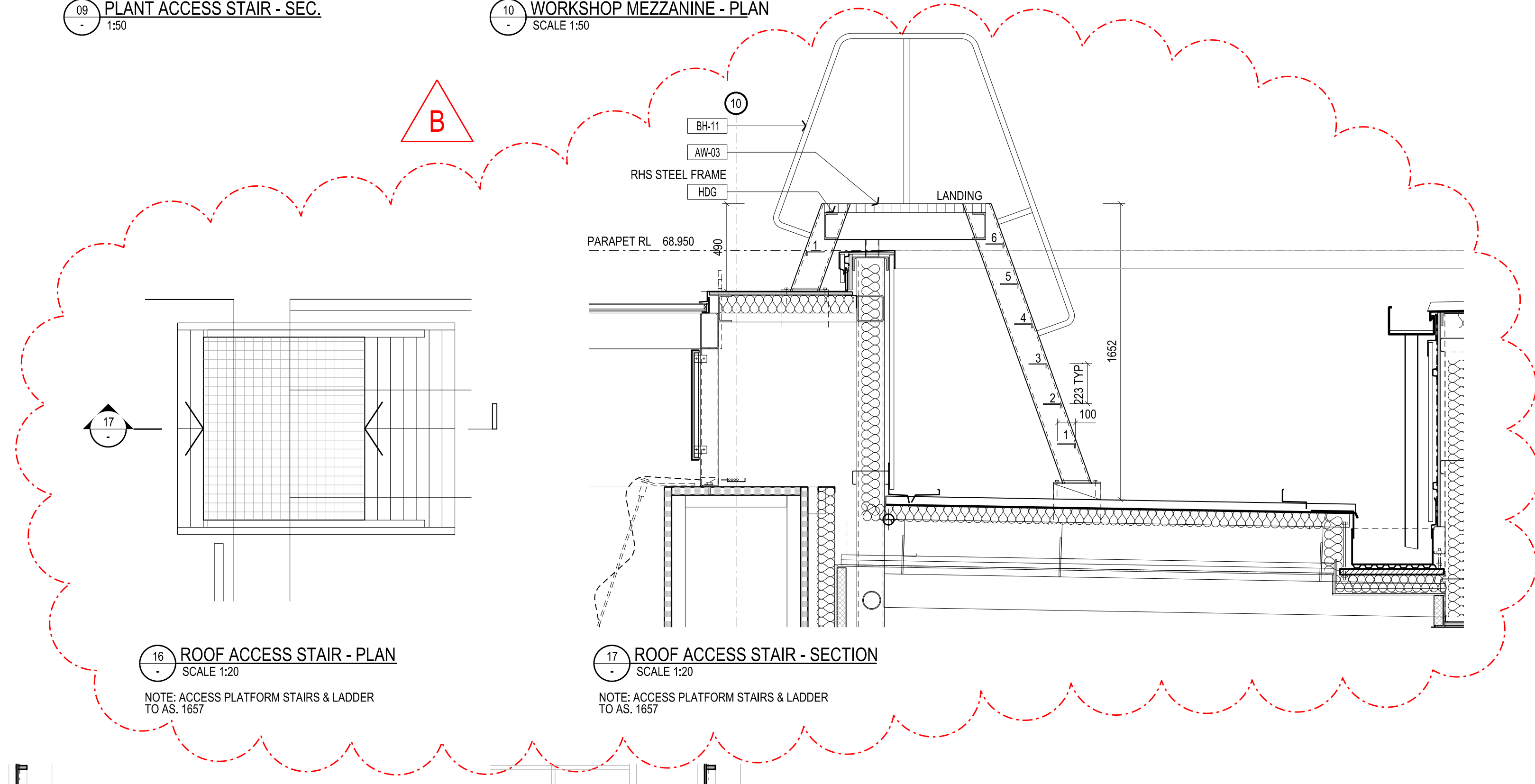
08 PLANT ACCESS STAIR - SEC.
SCALE 1:50
NOTE: ACCESS PLATFORM STAIRS & LADDER TO AS. 1657



09 PLANT ACCESS STAIR - SEC.
SCALE 1:50

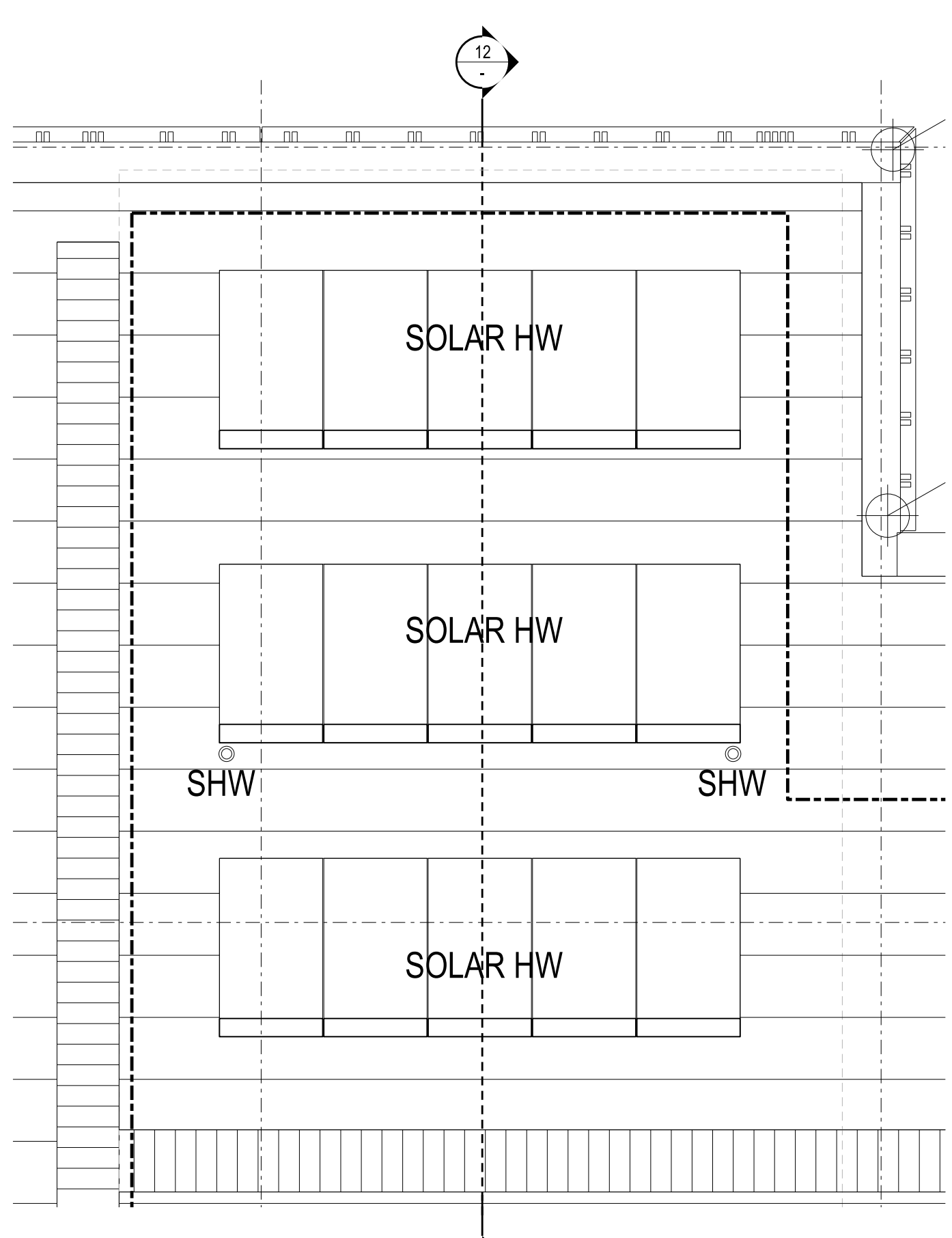


10 WORKSHOP MEZZANINE - PLAN
SCALE 1:50

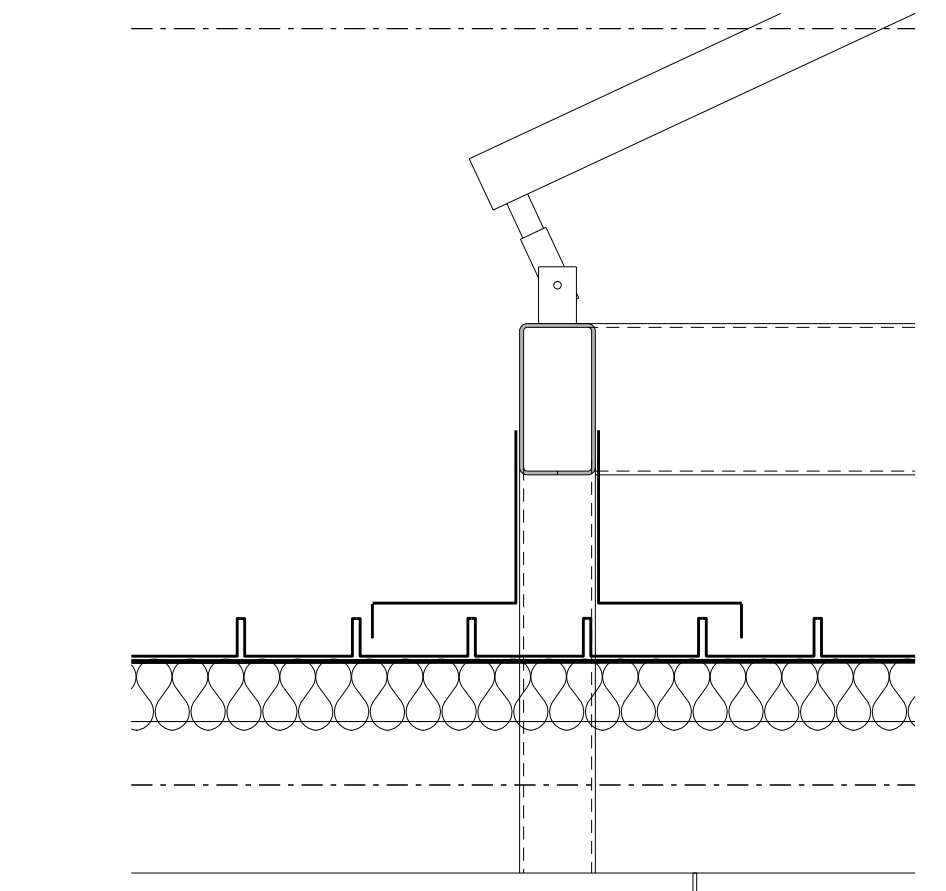


16 ROOF ACCESS STAIR - PLAN
SCALE 1:20
NOTE: ACCESS PLATFORM STAIRS & LADDER TO AS. 1657

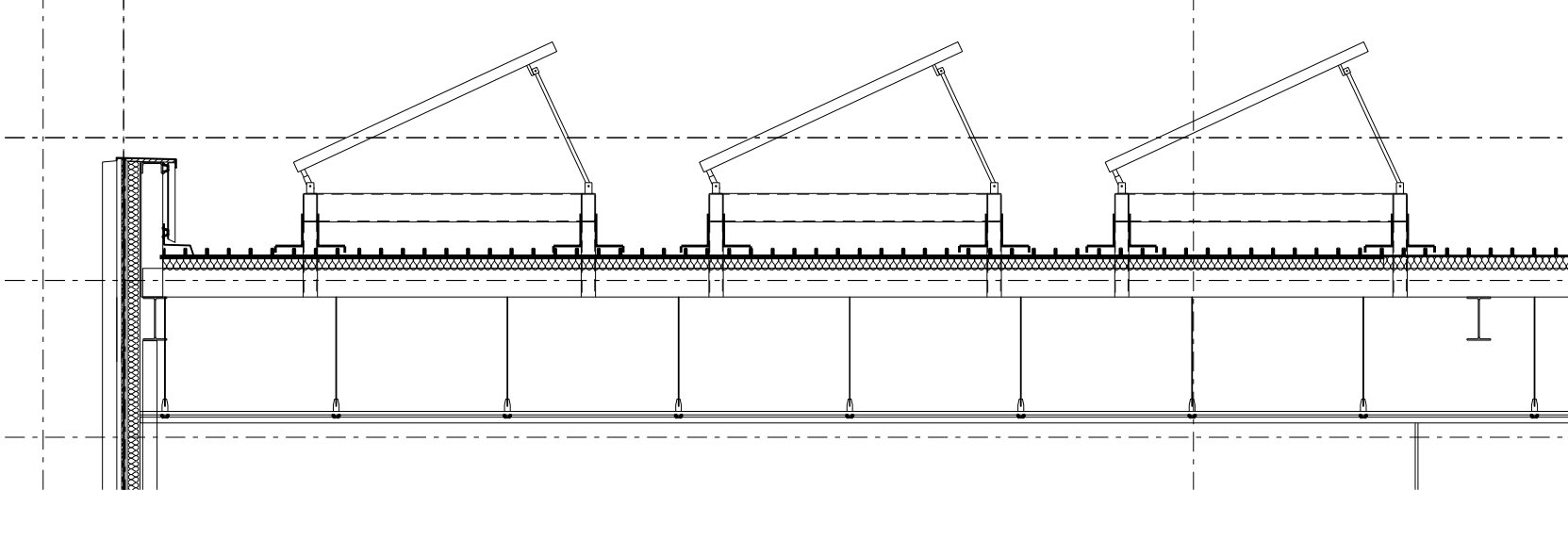
17 ROOF ACCESS STAIR - SECTION
SCALE 1:20
NOTE: ACCESS PLATFORM STAIRS & LADDER TO AS. 1657



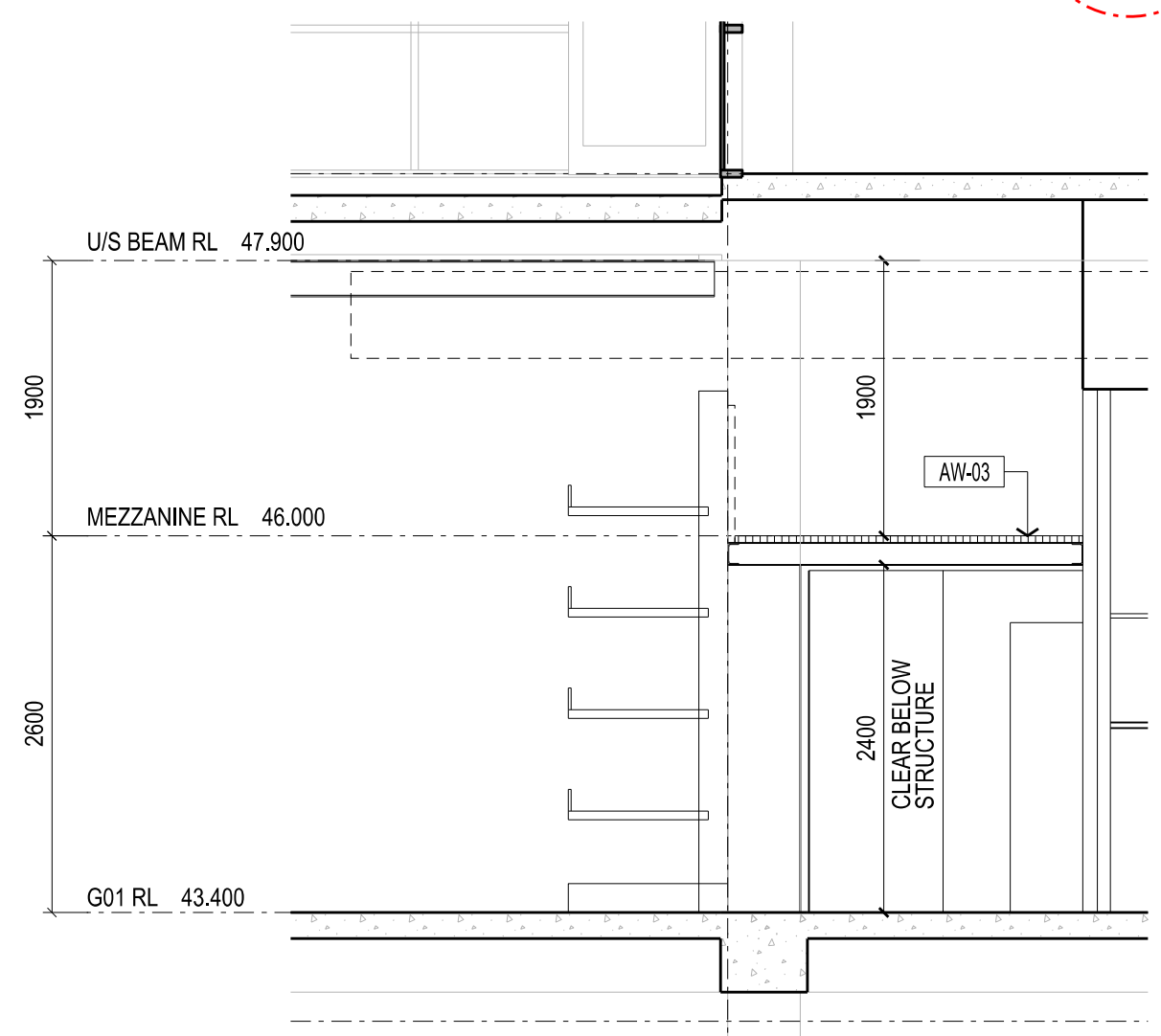
11 SOLAR PANELS - PLAN
SCALE 1:50



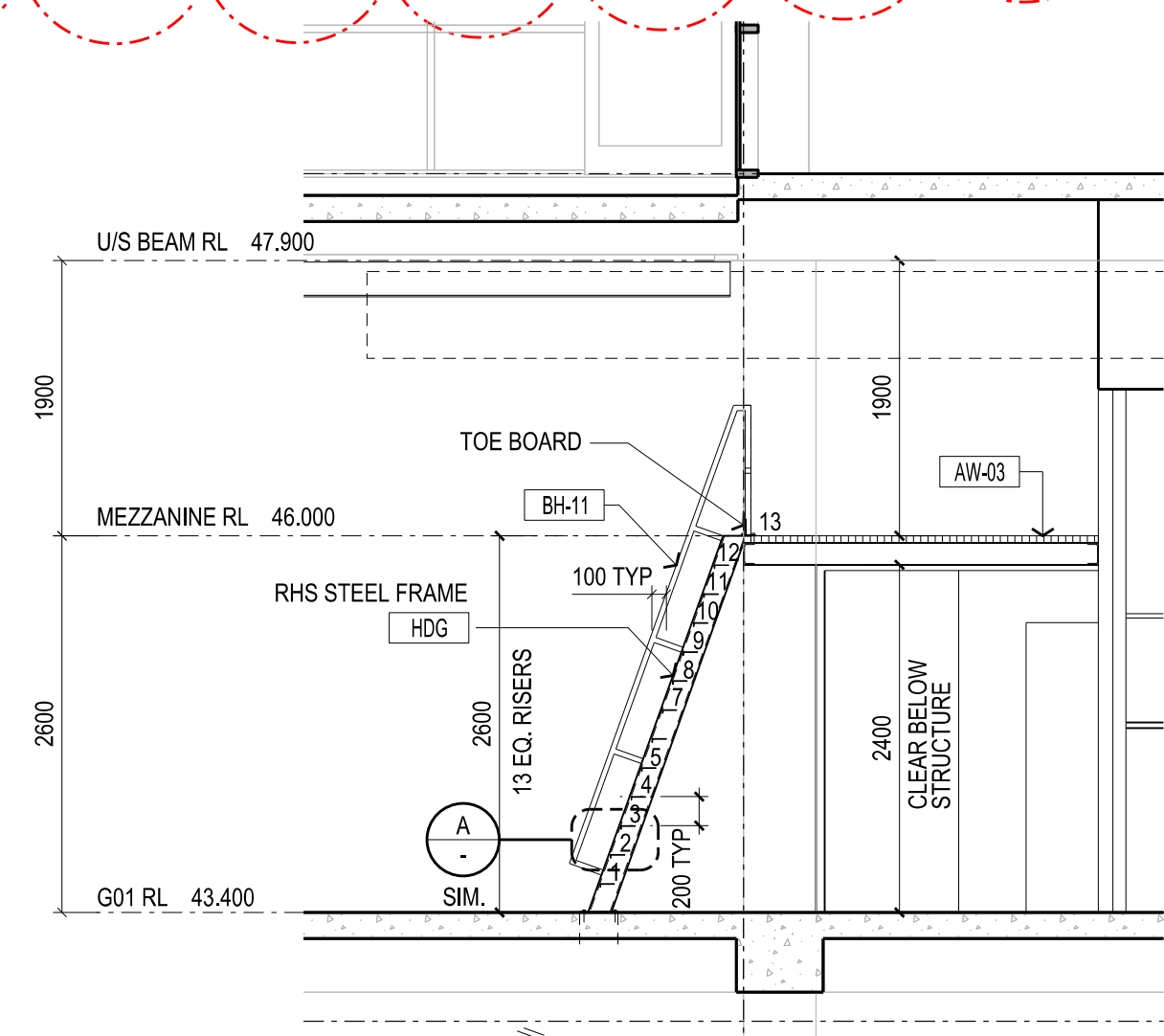
12 SOLAR PANELS - SECTION
SCALE 1:10



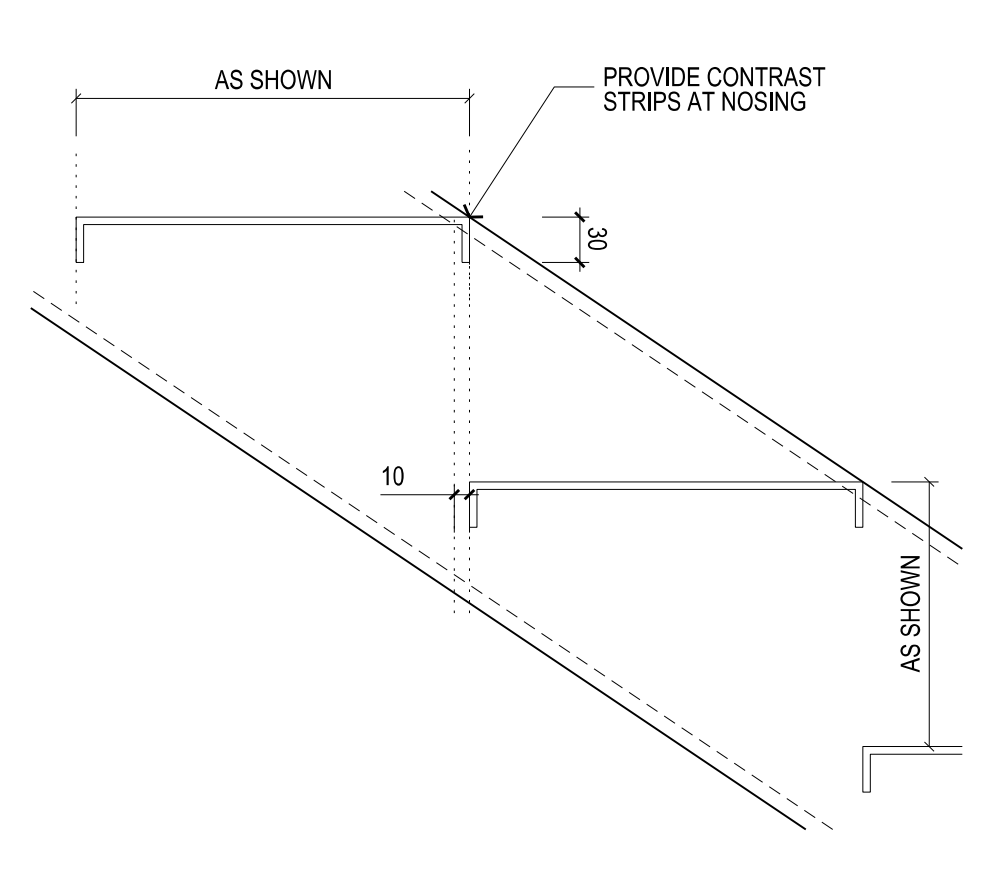
13 SOLAR PANELS - SECTION
SCALE 1:50



14 WORKSHOP MEZZANINE - SECTION
SCALE 1:50
NOTE: ACCESS PLATFORM STAIRS & LADDER TO AS. 1657



15 WORKSHOP MEZZANINE - SECTION
SCALE 1:50
NOTE: ACCESS PLATFORM STAIRS & LADDER TO AS. 1657



18 TYPICAL STAIR TREAD DETAIL
SCALE 1:5

Rev	Issue	Revision Description	And	Date
B	SG	ISSUED FOR CONSTRUCTION	-	24.01.14
A	SG	ISSUED FOR CONSTRUCTION	-	10.01.14
10	SG	BUILDING PERMIT ISSUE	-	04.07.13
09	SG	BUILDING PERMIT ISSUE	-	24.05.13
		LADDER & PLATFORMS ADJUSTED TO SUIT P025		
08	YA	VALUE MANAGEMENT ISSUE	-	28.03.13
07	SG	100% CD - TENDER ISSUE	-	07.09.12
06	SG	90% CD ISSUE	-	10.08.12
05	SG	75% CD ISSUE	-	13.07.12
04	SG	50% CD ISSUE	-	01.06.12
03	SG	25% CD ISSUE	-	20.04.12
02	SG	FINAL CD ISSUE	-	24.02.12
01	SG	DD UPDATE	-	20.01.12



NADAAA
 NADAAA
 1520 Washington Street No.2 Boston Massachusetts 02118 USA
 Telephone +1 617 442 8232 Facsimile +1 888 442 1417 Email nadaaa@nadaaa.com

John Wardle Architects
 25 Rokeby Street, Collingwood, Victoria 3066 Australia
 Tel: +61 3 8662 0400 www.johnwardlearchitects.com
 © 2014 John Wardle Architects ABN 83 006 814 268

Client **University of Melbourne Parkville Campus**
 Project **Faculty of Architecture Building and Planning**

Title **METALWORK DETAILS SHEET 1**

Project No.	0913	Scale	1:20 @ A0 1:40 @ A2
Drawing No.	AR6500	Revision	B

Date: Jan. 2011 Drawn - Co-Ord - Check -

FILENAME - SFRS

FOR CONSTRUCTION